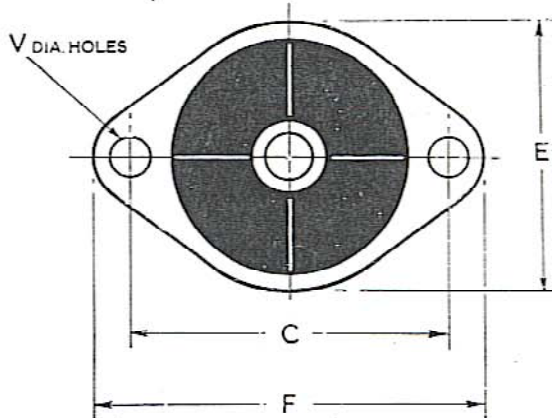
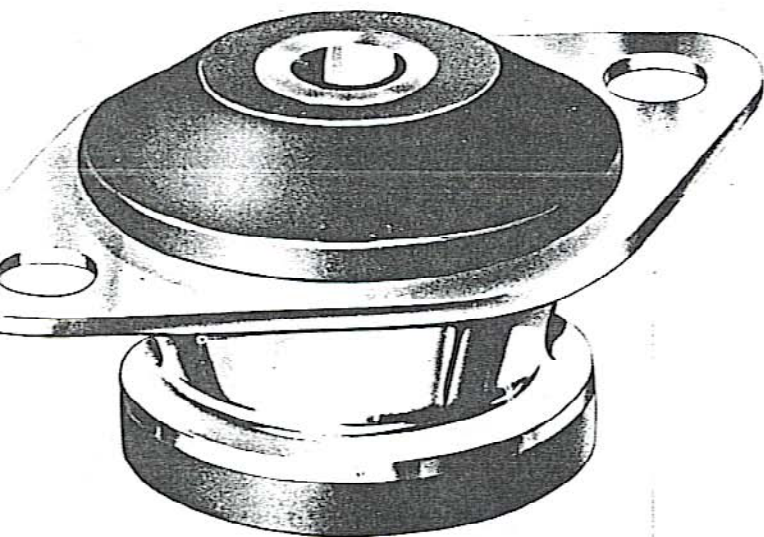
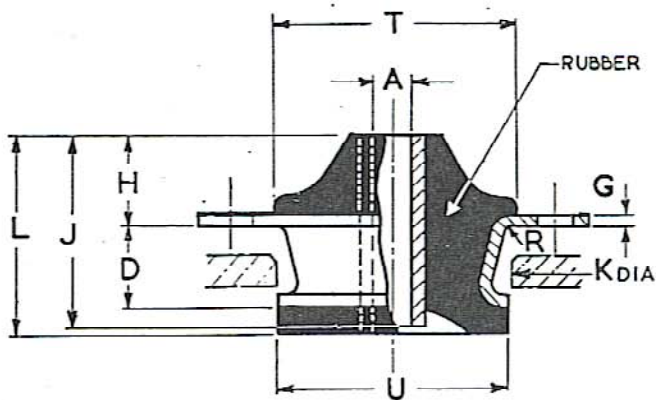


# silentbloc

FLEXIBLE MOUNTINGS

## Frustacon Type Oval Flange

These mountings have an "oval" flange with two holes for bolts or set screws.



Mounting shown in free position.

REMARKS—The hole "K" in the support should be chamfered at the top to allow for radius "R", so that the mounting flange sits squarely on the support face. All "A" holes are clearance for B.S. bolts of the same nominal diameter.

ART No.	DIMENSIONS													
	A	C	D	E	F	G	H	J	K	L	R	T	U	V
F.N. 20	$\frac{3}{8}$ "	$2\frac{3}{8}$ "	$\frac{43}{64}$ "	$1\frac{7}{8}$ "	3"	.080"	$\frac{29}{64}$ "	$1\frac{5}{16}$ "	$1\frac{1}{2}$ "	$1\frac{5}{16}$ "	$\frac{3}{64}$ "	$1\frac{3}{4}$ "	$1\frac{7}{16}$ "	$\frac{9}{32}$ "
F.N. 30	$\frac{3}{8}$ "	$2\frac{7}{8}$ "	$\frac{3}{4}$ "	$2\frac{1}{4}$ "	$3\frac{1}{2}$ "	.080"	$\frac{41}{64}$ "	$1\frac{5}{8}$ "	$2\frac{1}{16}$ "	$1\frac{5}{8}$ "	$\frac{1}{16}$ "	$2\frac{1}{8}$ "	2"	$\frac{11}{32}$ "
F.N. 43	$\frac{1}{2}$ "	$3\frac{1}{4}$ "	$1\frac{11}{64}$ "	$2\frac{3}{4}$ "	4"	.104"	$\frac{31}{64}$ "	$1\frac{29}{32}$ "	$2\frac{1}{4}$ "	$1\frac{29}{32}$ "	$\frac{1}{8}$ "	$2\frac{3}{8}$ "	$2\frac{1}{8}$ "	$\frac{13}{32}$ "
F.N. 44	$\frac{1}{2}$ "	$3\frac{1}{4}$ "	$1\frac{11}{64}$ "	$2\frac{3}{4}$ "	4"	.104"	$\frac{47}{64}$ "	$2\frac{5}{32}$ "	$2\frac{1}{4}$ "	$2\frac{5}{32}$ "	$\frac{1}{8}$ "	$2\frac{3}{8}$ "	$2\frac{1}{8}$ "	$\frac{13}{32}$ "